

低速粉碎机 LOW SPEED GRANULATOR

PRO-MASTER KGHseries

最适合在线回收工程塑料水口料的低速粉碎机!
The Most Suitable (low speed) Granulator for In-line Recycling of Engineering Plastic Runners!



开口部
角度
Opening Angle
150°
(KGH-250)



最简易的
清扫性
Easiest
Cleaning

采用独特的全开放式机身构造，当打开粉碎室时，没有死角，便于清扫

When You Open the Double Door Housing, Which has High Rigidity, as the Original Structure, You cannot Find any Useless Frame upward for Cleaning

粉碎性能
Grinding
performance

新型细粉碎刀采用渐进式斜齿结构，切削力增大，粉碎更均匀

The New Grinding Cutting Blades Adopt Progressive Helical Tooth Structure, for Increase the Cutting Force, and the Grinding is more Uniform.

新型粗粉碎刀带副切削刃，减轻切割水口料时对减速机的冲击

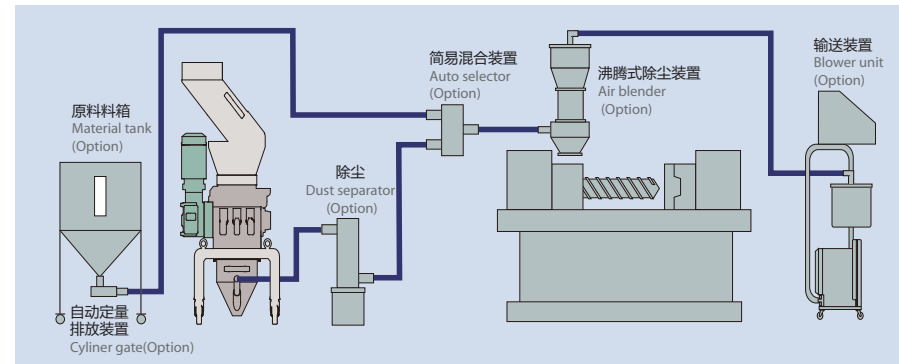
The New Grinding Cutting Blades with the Cutting Edge can Reduce the Impact force on the Reducer in order to Protect the Reducer.

刀腔全部采用高强度铸造件，硬度高，耐磨性更好

The Whole Cutter Cavities are made of High Strength Casting Parts with High Hardness and Good Wear Resistance.



循环流程 Recycling Flow

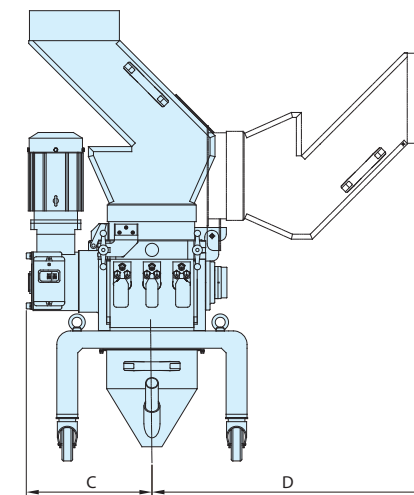
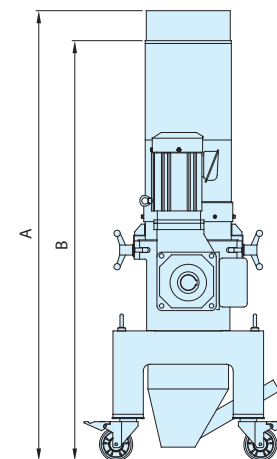
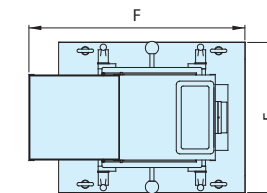


规格 Specifications

型号/Model	KGH-250-KS	KGH-350-KS
投入口尺寸/Inlet size (mm)	283×237	350×322
刀腔部尺寸/Opening size of grinding (cutting) blades (mm)	250×252	335×335
回转速度/Speed of revolution (50/60Hz)(rpm)	25/30	
细粉碎刀(枚)/Grinding (cutting) blades (psc)	3	
粉碎刀尺寸/Cutter size (W×D)(mm)	4×5	5×6
粗粉碎刀(枚)/Crushing blades (psc)	2	
固定刀(枚)/Fixed blade(psc)	6	
马达功率/Motor capacity (kW)	0.75	1.5
底料斗容积/Effective volume of material collection bin (Lr)	8	12
共用工程/Utility	电源电压/Supply voltage AC 380V/50Hz 3P 3W+E (标准电压 Standard voltage)	
	总电气容量/Power supply (50Hz)(kW) 0.75 1.5	
附属品/Accessories	吸料管/Suction pipe Φ38×350mm×1 pcs, 电源线/Power supply cable 5m	
机器重量/Weight (kg)	200	350

外形尺寸图 Dimensions

型号/Model	KGH-250-KS	KGH-350-KS
A(mm)	1350	1558
B(mm)	1260	1461
C(mm)	370	443
D(mm)	860	978
E(mm)	450	540
F(mm)	650	725



标准规格 Standard

- 粉碎机的驱动装置，即减速电机的安装为电机朝上，这样避免了减速器的油脂进入电机，造成电机损坏
- The driving motor installed upturned, protecting the motor damaged from the grease dropping into the reduction gear



- 投料斗可任意 90°旋转
- You can put the pump chute in four positions every 90 degrees



- 刀腔部带密封结构，可有效防止水口料粉碎时粉末溢出
- The sealing structure of the cutter cavity can effectively prevent the overflow of powder when the nozzle material is crushed

- 投料斗带视镜窗，粉碎状态一目了然
- The hopper has a mirror window, and the smashing state is clear at a glance

- 粉碎室的全开放结构无需加油，便于维护
- Oilless bearings are used for opening the housing

- 主轴两端的螺旋排出装置具有防止粉尘进入轴承的作用
- The rotary discharge on the ends of the main axis can prevent power from entering the axis

- 粉碎机的细粉碎刀采用圆弧设计，刀齿不易断裂
- The fine-scissors of the granulator adopts arc shape design so that the scissors teeth are uneasy to crack.

粉碎机
KGHseries

粉碎机
KGHseries