

# 氮气干燥机 NITROGEN DRYER

# PRO-MASTER DNHseries

## 材料从料包至成型机最优化管理!

The Optimum Management is Provided from Material Package to Finished Product!

### 减少由环境 · 人 · 材料因素导致的误差

#### Reduce the Error Caused by Environment, Human and Material Factors

- 不受工厂的湿度·温度影响的稳定化系统
- 使投入成型机的材料状态（水分、气体）稳定，通过最低限度地加热让材料保持更好的状态
- Stabilization system without influence of humidity and temperature of plant
- The conditions of materials (moisture, gas) in use are stable, which are maintained better by minimum heating

### 氮气浓度 99% 以上，防止黄变及酸性物质产生

#### Nitrogen concentration of more than 99%, to prevent yellowing and acid production

### 光学用洁净配置 (NC 型)

#### Clean configuration for optics (NC type)

### 输送零排放量，对环境无影响

#### Zero emissions during the conveying, without any impact on the environment

### 智能化控制

#### Intelligent Control

- 采用高清电容触摸屏
- 温度、压力、流量、氮气浓度 (OP) 等可同步显示
- 智能化界面，操作简便
- High definition capacitive touch screen
- Temperature, pressure, flow rate, nitrogen concentration (OP), etc. can be synchronously displayed
- Intelligent interface, easy to operate

### 川田 K-Cloud 平台

#### KAWATA K-Cloud Platform

- 通过KMS-G01智能控制基板，连接到川田K-Cloud平台，可实现：
  - 实时远程监控、数据统计和分析等大数据处理
  - 远程健康预诊与设备生命周期管理
  - 数据的安全保障
- Through KMS-G01's intelligent control panel connecting to KAWATA K-Cloud Platform, the following functions can be achieve:
  - Remote real-time monitoring and data processing such as date statistics, data analysis etc
  - Remote health pre-diagnosis and equipments' lifecycle management
  - Data security guaranteed

### 互联网技术的应用

#### Application of Internet Technology

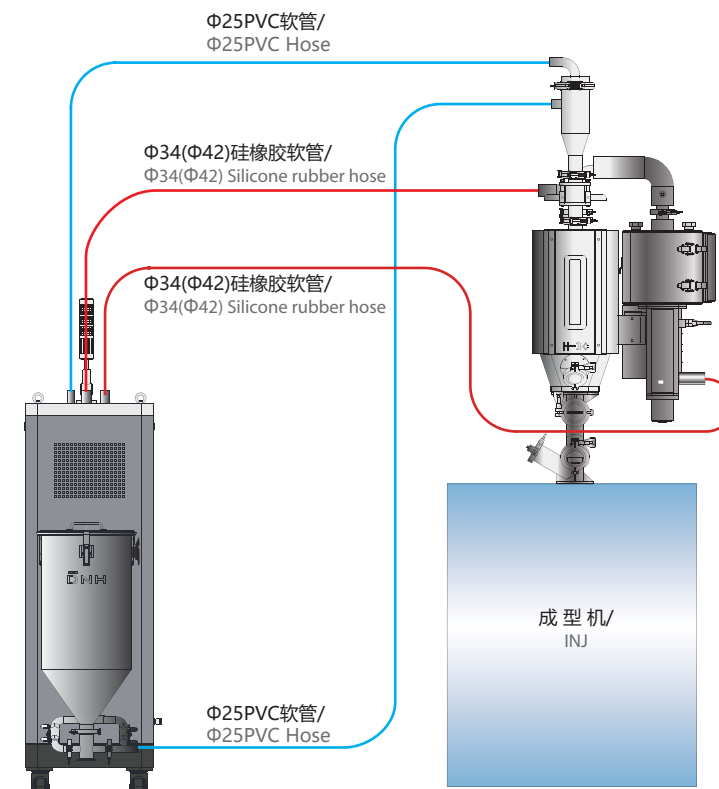
- 实现远程监控、数据统计和分析等大数据处理
- For big data processing including remote monitoring and control, statistics and data analysis

### 规格 Specifications

型号/Model	DNH-3(C)-KS	DNH-6(C)-KS	DNH-10(C)-KS	DNH-15(C)-KS	DNH-20(C)-KS
风量/Air flow (m³/h)	24		35		
注入氮气露点/Dew point (°C)	-50 以下/Below				
干燥温度/Drying temperature (°C)	70~140				
干燥风机容量/ Drying blower capacity (50Hz)(kW)	0.09		0.17		
干燥加热管容量/Drying heater capacity (kW)	1		2		
高精度过滤器(过滤精度)/ HEPA filter(filter precision)	0.3µm×99.97% 以上/Above				
干燥料筒有效容量/ Drying hopper effective capacity (L)	5	10	17	25	33
干燥料筒装料量/ Drying hopper feeding volume (kg)	3	6	10	15	20
输送风机容量/ Conveying blower capacity (50Hz)(kW)	0.28				
原料箱容量/Main tank capacity (L)	42				
压缩空气用量/ Compressed air requirement (L/min)	80 (0.5~0.7PMa)(配管口径Φ10/Pipe size Φ10)				
负荷隔离开关容量/Switch disconnecter capacity (380-415/200-220V)(A)	32				
总电气容量/Power supply (50Hz)(kW)	1.4		2.5		
涂装色/ Paint color	机架/Frame	PANTONE 432C/430C/427C			
	控制盘门/Control panel door	PANTONE 285C			
	封板/Boards	PANTONE 430C/427C			
机器重量/ Weight (kg)	本体/Frame	144			
	干燥料筒/Drying hopper	35	41	43	45.5

○本系统可能会发生因不同的原料批次及长期残留物等导致无法对应的情况。  
○若定期维护不到位，可能会影响机器原本的性能。  
○本机器虽为使材料稳定的装置，但无法对应因模具·成型条件导致的不稳定。  
○The system may not be suitable for some material which includes different production lot and long-time retaining etc.  
○The system may not work properly when periodical maintenance is not appropriately done.  
○The system is designed to stabilize material condition. Not to stabilize condition affected by mold and machine etc.

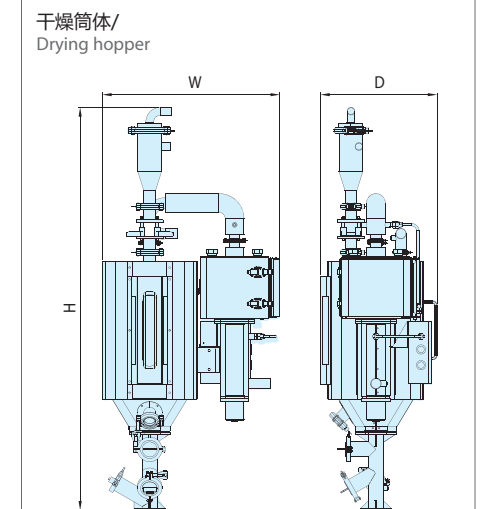
### 示意图 Diagrams



### 对应特殊树脂 Special Material Available

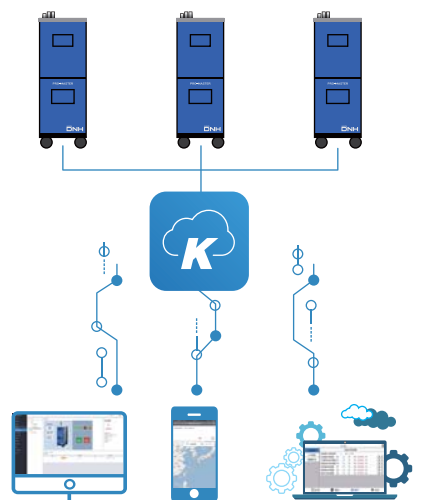
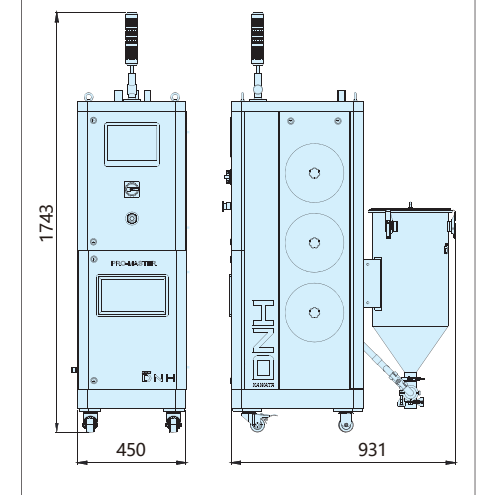
PA46	●
PA4T	●
PA6T	●
PA9T	●
COC	●
COP	●
光学用特殊聚酯/ Special polyester for optical use	●
光学用特殊聚碳酸酯/ Special PC for optical use	●

### 外形尺寸图 Dimensions



型号/Model	W (mm)	D (mm)	H (mm)
H-03C	502	310	1165
H-06C	568	373	1288
H-10C	568	373	1420
H-15C	607	410	1500
H-20C	623	426	1600

本体/  
Tank unit



PC客户端 PC client  
移动客户端 Mobile client  
OPC用户自行组态 OPC User configuration