

热风干燥机 HOT AIR DRYER



ACEDRYER Z ADG-Zseries

简洁设计、自带一二次输送、超级节能的热风干燥机!

Simple Design, with Convey-1 and Convey-2,
Super Energy-saving Hot Air Dryer.

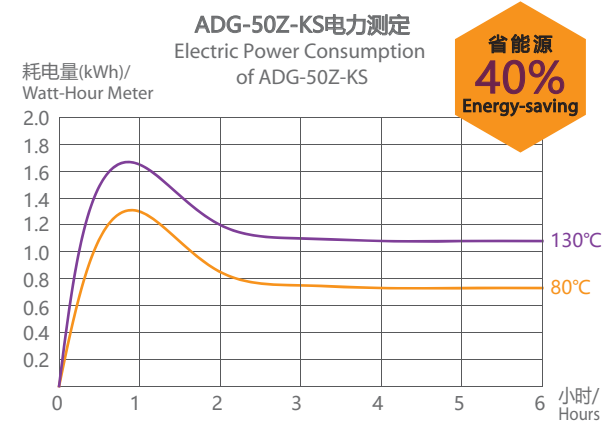
超级节能设计, 省能源 40%

Super Energy-saving Design, Energy 40%

- 节能装置标配
- 有效利用干燥回热
- Energy saving device configuration
- The effective use of dry heat



热风回收示意图
Schematic diagram of hot air recycling



微电脑 PID 控制, 高精度温度控制实现

Diffuser Cone Mechanism

- 微电脑PID控制, 实现高精度温度控制
- 异常发生时的报警灯闪烁, 异常原因(逆相, 过负荷, 温度上限, 温度下限, 热电偶断线, 接触器异常, 外部异常)在面板上表示
- 自动预约功能作为标准装备
- PID control for accurate temperature control
- A cause of malfunction is indicated by a warning light, (negative phase, overload, high temperature, empty level error, mg1 error, alarm of remote)
- Automatic start timer (stanfard)



采用方便的喇叭口设计方式

Diffuser Cone Mechanism

- 热风通过喇叭管由下而上均匀吹出, 材料受喇叭管阻力呈柱状由上而下流动, 材料与热风形成对流, 使材料充分均匀干燥
- The diffuser cone mechanism ensures uniform drying and prevents inadequate drying



点检更便利

Easy Maintenance

- 150度广角筒体点检门设计, 清扫方便, 方便喇叭管的拆装
- 采用简单的集料盒, 放料筒便捷快
- The door of drying cylinder is designed largely, easy to achieve the cleaning of the cylinder and to remove and install the horn pipe easily
- Using simple collecting box, materials release conveniently



带保温层干燥筒

Insulated Drying Hopper

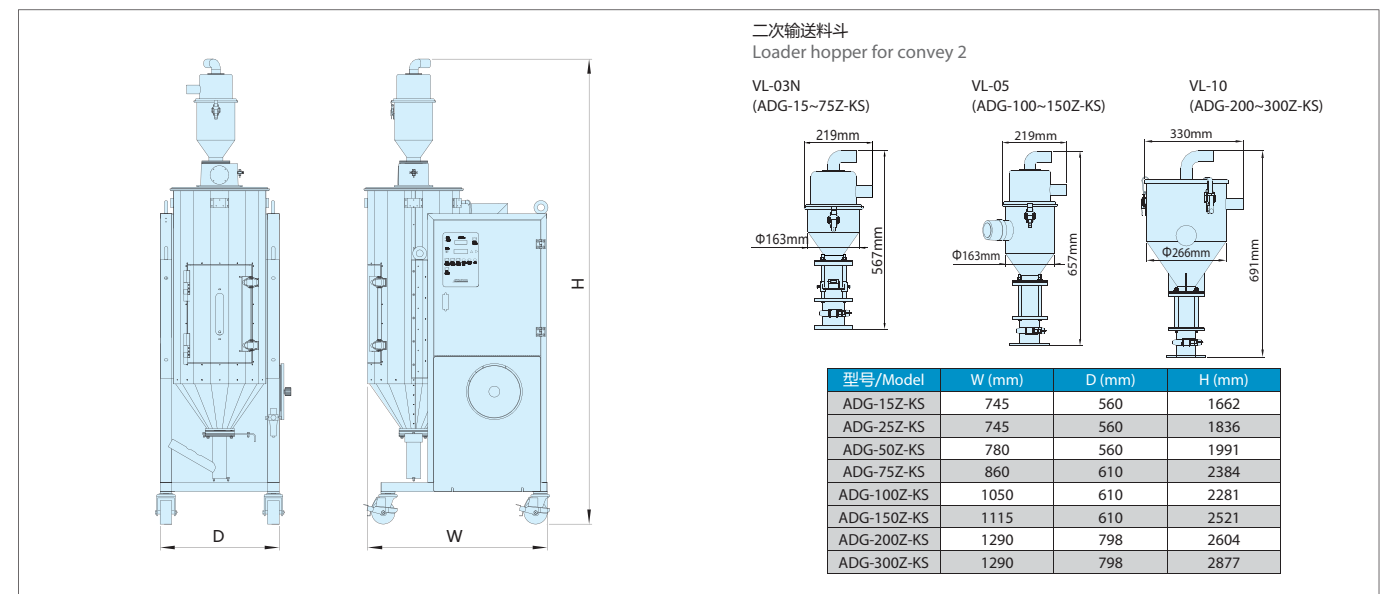
- 减少导热原因形成的热量损失, 防止高温引起的烫伤
- Insulation keeps the heat in to reduce energy consumption, and increases safety by reducing the risk of scald



规格 Specifications

型号/Model	ADG-15Z-KS	ADG-25Z-KS	ADG-50Z-KS	ADG-75Z-KS	ADG-100Z-KS	ADG-150Z-KS	ADG-200Z-KS	ADG-300Z-KS
风量/Air flow (m ³ /h)	25	50	75	90	110	160	200	
干燥温度/Drying temperature (°C)	Max. 130							Max. 160
干燥风机容量/Drying blower capacity (50Hz)(kW)	0.04	0.12	0.37		0.55			
干燥筒/Drying hopper	有效容量/Effectibe capacity (L)	25	42	84	125	167	250	333
	装料量/Feeding volume (kg)	15	25	50	75	100	150	200
	干燥筒内胆材质/Drying hopper inner material	SUS304(镜面/Bufing)						
	干燥加热管容量/Drying heater capacity (kW)	1.0	2.0	2.4	4.0	6.0	9.0	
附属品/Accessories	集料盒/Collection box							
一次送料斗(输送1)/Primary hopper (Convey-1)	AL-05						AL-10	
风机容量/Blower capacity (50Hz)(kW)	0.55				1.3			
二次送料斗(输送2)/Secondary hopper (Convey-2)	VL-03N				VL-05		VL-10	
风机容量/Blower capacity (50Hz)(kW)	0.55(和一次输送兼用/Concurrent use of blower with primary conveying)				1.3(和一次输送兼用/Concurrent use of blower with primary conveying)			
主断路器容量/Main breaker capacity (380-415/200-220V)(A)	10/15	10/20	15/32	20/32	20/40	32/50		
总电气容量/Power supply (50Hz)(kW)	1.6	2.7	4.1	5.7	7.9	10.9		
压缩空气用量/Compressed air requirement (L/min)	5 (0.4~0.6PMa)(配管口径Φ8/Pipe size Φ8)							
附属品/Accessories	PVC软管/PVC flexible hose Φ38×20m, 吸料管/Suction pipe Φ38×650mm×1根, 电源线/Power supply cable 5m							
涂装色/Paint color	日塗工 Y15-85A 半艶 JpMA Y15-85A, semigloss							
机器重量/Weight (kg)	120	130	160	180	240	260	333	365

外形尺寸图 Dimensions



选购件 Options

- 二次送料定量清扫/Stand with casters
- 旋风分离器/Cyclone separator
- SSR固态继电器/SSR solid state relay
- 输送风机加大/Conveying blower up
- 主电源漏电开关/Leakage switch of main power
- 二次侧二方向输送/Secondary two-way conveying
- 警灯/Warning buzzer
- 二次输送不要/No need convey-2
- 周历显示预约启动装置/Booking startup device (type of week calendar)