

热风干燥机 HOT AIR DRYER

ACEDRYER ADBseries

方便操作的机能满载，适合对应工厂的干燥机。

A variety of Easy-to-use Features Meet the Needs of all Users.

微电脑 PID 控制，高精度温度控制实现

Diffuser Cone Mechanism

- 微电脑PID控制，实现高精度温度控制
- 异常发生时的报警灯闪烁，异常原因(逆相，过负荷，温度上限，温度下限，热电偶断线，接触器异常，外部异常)在面板上表示
- 自动预约功能作为标准装备
- PID control for accurate temperature control
- A cause of malfunction is indicated by a warning light, (negative phase, overload, high temperature, empty level error, mg1 error, alarm of remote)
- Automatic start timer (stanfard)



规格 Specifications

型号/Model	ADB-15(B)-KS	ADB-25(B)-KS	ADB-50(B)-KS	ADB-75(B)-KS	ADB-100(B)-KS	ADB-150(B)-KS	ADB-200(B)-KS	ADB-250(B)-KS	ADB-300(B)-KS	ADB-400(B)-KS	ADB-600B-KS	
料斗容量/Effective capacity(L)	25	42	84	125	167	250	333	420	500	670	1000	
装料量/Feeding volume (kg)	15	25	50	75	100	150	200	250	300	400	600	
风量/Air flow (m³/h)	24	38	75	90	140	180	240	280	330	400	600	
干燥温度/Drying temperature (°C)	Max. 130°C [160°C规格是选购件(干燥桶为保温规格)/160°C specification is optional.(Insulated drying hopper)]											
加热管容量/Heater capacity (kW)	2.0	2.0	4.0	6.0	9.0	9.0	12.0	15.0	18.0	21.0	31.5	
风机容量/Blower capacity (kW)	0.04	0.06	0.12	0.37	0.37	0.37	0.55		0.75	1.1		
控制方式/Control method	程序控制/Microprocessor control											
温度控制/Temperature control	PID控制/PID control											
电源电压/ Power Source	主回路/ Main return rout voltage	AC 380V/50Hz 3P 3W+E										
	操作回路/ Operation circuit voltage	AC 200V/220V AC10V AC20V 50Hz 1P 2W+E										
	总电气容量/Power supply (kW)	2.1	4.1	6.4	9.4	12.6	15.6	18.6	21.8	32.6		
	主断路器容量/ Main breaker capacity (A)	10		15		20		32		40		75
涂装色/Paint color	日漆工 Y15-85A 半艶 JPMA Y15-85A, semigloss											
机器重量/ Weight (kg)	机上型/Without a stand	58	68	96	106	144	156	185	195	238	270	-
	地上型/With a stand	74	84	108	118	174	186	225	235	286	318	610
外形尺寸/ Dimensions (WxDxH)(mm)	机上型/Without a stand	602×546×1033	602×572×1183	823×629×1331	823×693×1481	1156×748×1554	1156×748×1874	1426×874×1850	1426×874×2060	1550×938×2034	1604×1043×2374	-
	地上型/With a stand	725×685×1316	725×712×1466	838×824×1614	838×824×1764	1156×783×1828	1176×783×2148	1426×909×2126	1426×909×2336	1550×1043×2331	1604×1149×2696	2073×1280×2800

* ADB-100以上的机型装料量是配置送料机的情况下，增高件装上的时候的数字。另外，装料量是受成型材料的形状以及送料方式不同而不同。
装料量超过600kg的情况下请向我们询问。
* The charged volume for ADB-100 or larer models represents values with an automatic loader mount attached. However,the volume differs depending on the shape of molding material and method to feed them. Contact us for charged volume over 500kg.

选购件 Options

- 地上型架台/Stand with casters
- 2方向集料斗/Two-way collection box
- 主电源漏电开关/Leakage switch of main power
- 带保温层干燥筒(高温规格)/Insulated drying hopper(for high temperature use)
- 周历显示预约启动装置/Booking startup device
- 异常报警蜂鸣器/Warning buzzer
- 料斗下方电动式料位计(高温规格)/hopper lowerlimit level switch

ACEDRYER BDseries

箱式干燥机 BOX TYPE DRYER

箱型干燥机具有构造简单，热风分布均匀的特点

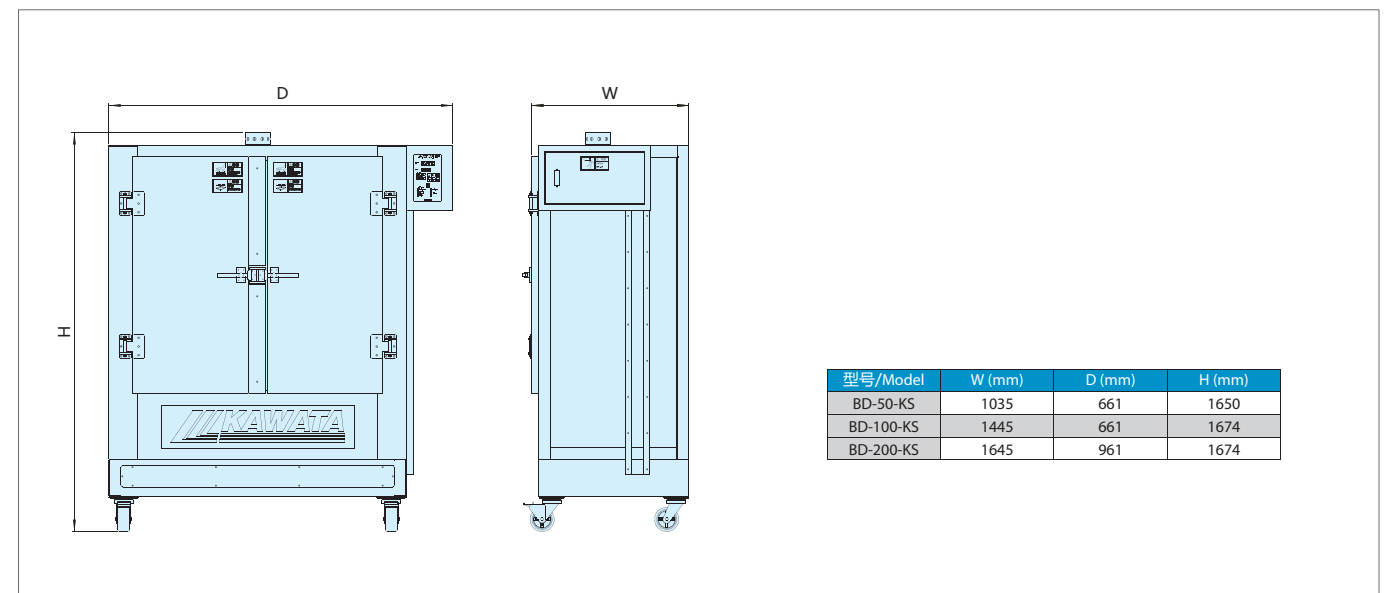
Box Type Dryer from Kawata has Simple Structure, Uniform Hot Blast Distribution

- 特别适用于小批量、多品种材料的干燥
- 也可作为其他干燥方式的预备干燥
- Box type dryer from Kawata has simple structure, adjustable airflow and uniform hot blast distribution
- It is ideal for drying of small batch, multiple materials, and the pre-drying of other drying methods

规格 Specifications

型号/Model	BD-50-KS	BD-100-KS	BD-200-KS
干燥温度/Drying temperature (°C)	Max.160		
装料量/Feeding volume (kg)	50	100	200
干燥风机容量/Drying blower capacity (kW)	0.18	0.37	0.75
加热管容量/Heater capacity (kW)	0.6×6	0.6×12	0.6×18
干燥室内部尺寸(长×宽×高)/ Dryer inside demisions (D×W×H) (mm)	510×595×940	510×1000×940	810×1010×940
托盘尺寸/Dimensions of tray (mm)	400×500×48		
托盘数/Tray quantity	9	18	36
托盘材质/Tray material	SUS304		
报警功能/Alarm	逆相、过负荷、温度上限、温度下限、热电偶断线、MG1异常 Reverse phase, Over load, Temp. high, Temp. low, Sensor brank, MG1 Error		
主断路器容量/Main breaker capacity (380-415/200-220V)(A)	10/20	15/32	32/50
总电气容量/Power supply (kW)	3.8	7.6	11.6
涂装色/Painting color	日漆工 Y15-85A 半艶 JPMA Y15-85A, semigloss		
机器重量/Weight (kg)	260	360	520

外形尺寸图 Dimensions



型号/Model	W (mm)	D (mm)	H (mm)
BD-50-KS	1035	661	1650
BD-100-KS	1445	661	1674
BD-200-KS	1645	961	1674



BD-100-KS



BD-100-KS(内部/Inside)

DRYER
BDseries

DRYER
ADBseries